



**MACHINE  
GREATNESS™**

# PUMA VAW7500 series



---

**High Productivity  
2-Turret Aluminum  
Wheel Machining  
Vertical Turning Center**

---

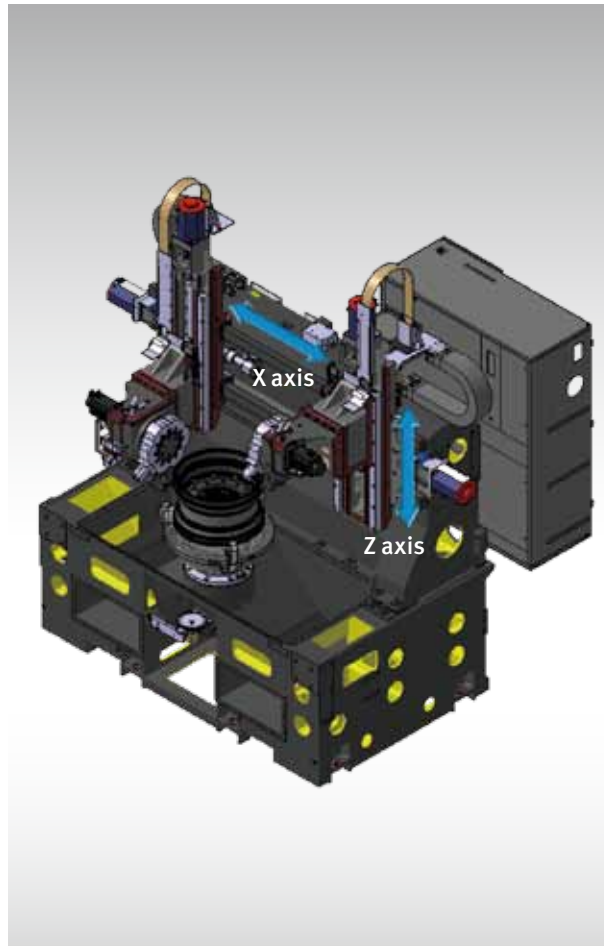
**PUMA VAW7500**

---

ver. EN 170720 SU

## Basic Structure

The PUMA VAW7500 Series maximizes wheel machining productivity with twin powerful turrets. With an ability to maintain the high cutting capacity of the preceding models, its machining performance has been greatly enhanced.



For seamless integration with process automation, the new, improved top slide cover allows easy entrance of robot and gantry.

Travel Distance / Rapid Traverse

**X axis**

**500 mm (19.7 inch)**  
**24 m/min (944.9 ipm)**

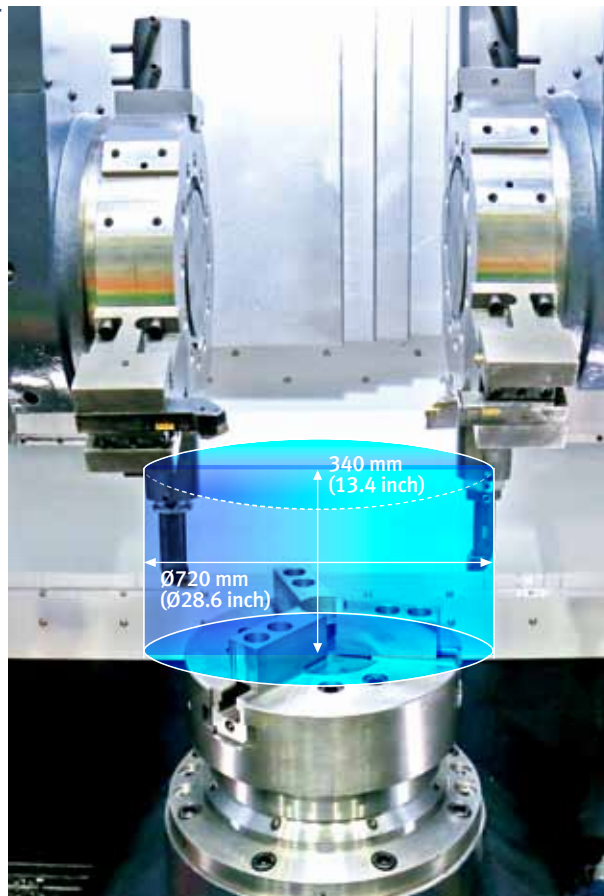
**Z axis**

**500 mm (19.7 inch)**  
**20 m/min (787.4 ipm)**

Wheel Size

**27.5 inch**

## Machining Area



Max. Turning Diameter

**Ø 720 mm**  
**(Ø 28.6 inch)**

Max. Turning Height

**340 mm**  
**(13.4 inch)**

## Spindle

With its powerful torque and power of the same class in addition to further stabilized spindle structure, the Series provides highest machining performance.



Max. Speed

**2000 r/min**

Max. Power (30 min/cont.)

**55/45 kW**  
**(73.8/60.3 Hp)**

Max. Torque

**684.5 N·m**  
**(505.2 ft-lbs)**

## Turret

The turrets specialized for processing aluminum wheels offer excellent cutting capacity and reliability.



No. of Tool Posts

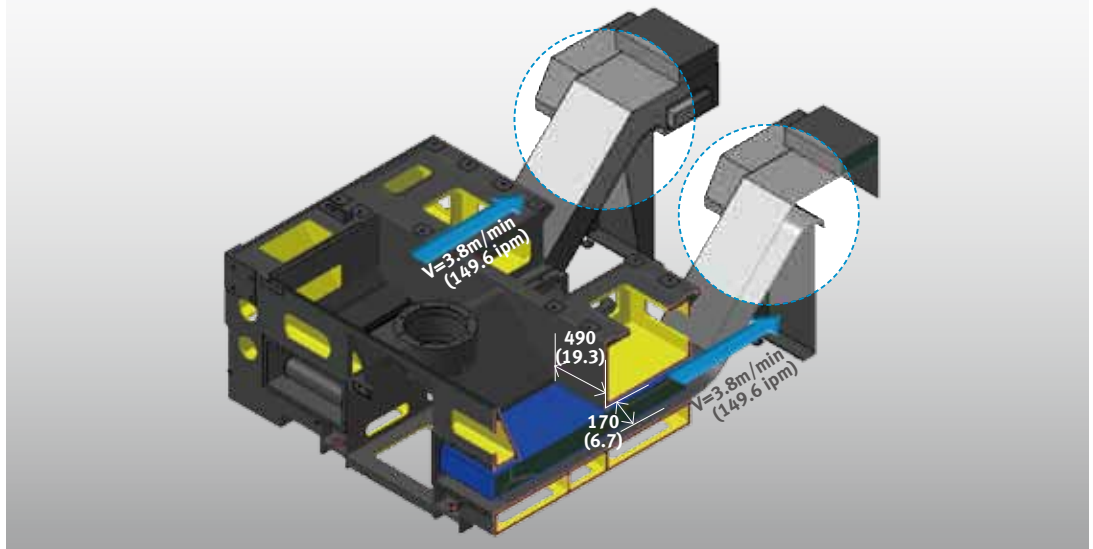
**6+6 Faces**

1 Station Indexing Time

**1.2 sec.**

## Chip Disposal

Chip disposal rate has been increased by double for easy adaptation to line automation and user convenience.



## Major Specifications

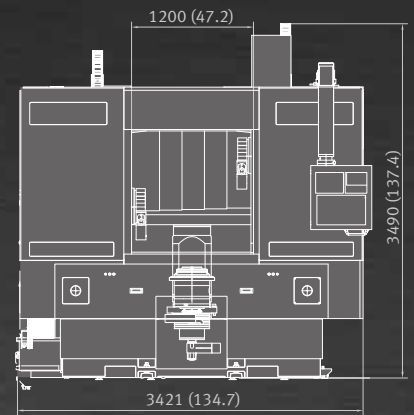
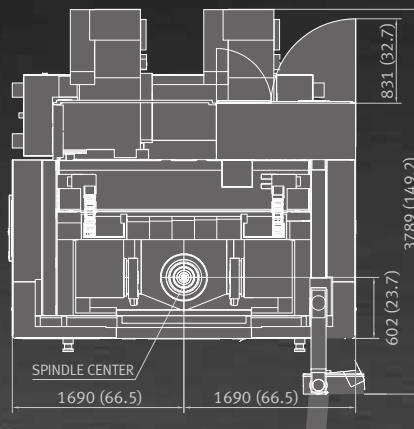
### PUMA VAW7500



Description	Unit	PUMA VAW7500
Max. turning diameter	mm (inch)	Ø 720 (Ø 28.3)
Recommended turning dia.	inch	22.5
Rapid traverse (X / Z-axis)	m/min (ipm)	24 / 20 (944.9 / 787.4)
Max. Spindle speed	r/min	2000
Spindle motor power (30min/cont.)	kW (Hp)	55/45 (73.8 / 60.3)
Machine dimensions (L x W)	mm (inch)	3380 x 2899 (133.1 x 114.1)
CNC specification	-	DOOSAN FANUC i

### Machine Dimensions

Unit : mm (inch)



## Doosan Machine Tools

<http://www.doosanmachinetools.com>

[www.facebook.com/doosanmachinetools](https://www.facebook.com/doosanmachinetools)

[www.youtube.com/c/DoosanMachineToolsCorporation](https://www.youtube.com/c/DoosanMachineToolsCorporation)

**MACHINE  
GREATNESS™**

#### Head Office

Yeonkang Bldg., 6th FL., 270, Yeonji-dong,  
Jongno-gu, Seoul, Korea  
Tel +82-2-3670-5345 / 5362  
Fax +82-2-3670-5382

#### Doosan Machine Tools America

19A Chapin Rd., Pine Brook, NJ 07058, U.S.A.  
Tel +1-973-618-2500  
Fax +1-973-618-2501

#### Doosan Machine Tools China

Room 101,201,301, Building 39 Xinzhuang Highway  
No.258 Songjiang District, China Shanghai(201612)  
Tel +86-21-5445-1155  
Fax +86-21-6405-1472

#### Doosan Machine Tools Europe

Emdener Strasse 24, D-41540 Dormagen, Germany  
Tel +49-2133-5067-100  
Fax +49-2133-5067-111

#### Doosan Machine Tools Japan

#2412, Mita Kokusai Bldg. 1-4-28 Mita,  
Minato-ku, Tokyo 108-0073, Japan  
Tel +81-3-5730-9013  
Fax +81-3-5730-9016

#### Doosan Machine Tools India

106 / 10-11-12, Amruthahalli, Byatarayanapura,  
Bellary road, Bangalore-560 092, India  
Tel +91-80-4266-0122 / 121 / 100

\* For more details, please contact Doosan Machine Tools.

\* The specifications and information above-mentioned may be changed without prior notice.

\* Doosan Machine Tools Co., Ltd. is a subsidiary of MBK Partners. The trademark **DOOSAN DOOSAN** is used under a licensing agreement with Doosan Corporation, the registered trademark holder.